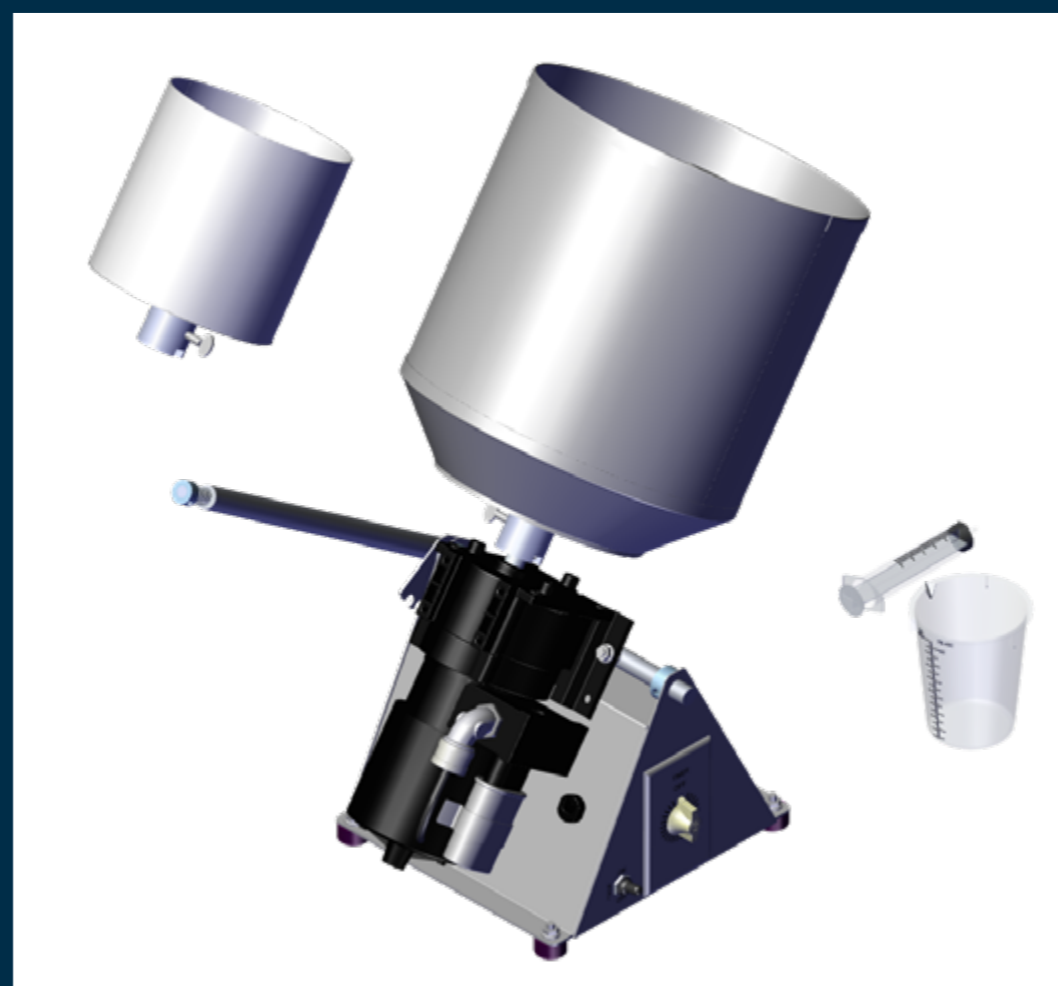




ROTARY LAB MIXER

50HZ #84088730

60HZ #84094668





MENU



This is an interactive PDF. Click on an icon tile and navigate to a chapter of interest.



Legal & Safety



Pictograms



System Diagram



Installation



Operation

Users can advance or go back single pages by using quick navigation links shown below, right.

Users can navigate to the Menu by clicking on the Menu icon shown below, left.





LEGAL & SAFETY

This manual contains technical information regarding Bayer SeedGrowth™ Equipment. Please read and understand these instructions completely before proceeding to install and operate the equipment. Bayer reserves the right to change specifications, models, components, or materials at any time without notice. For additional equipment information contact us at 1.800.634.6738. Please have this manual available when contacting Bayer.

Always use caution and common sense when working with any chemical. Read the product label and SDS carefully and follow their instructions exactly as described.

Optimal operating conditions for this piece of equipment requires an ambient temperature 32° F to +104° F (0° C to +40° C), relative humidity less than 90% (minimum condensation). Make necessary provisions to protect this piece of equipment against excessive dust, particles containing iron, moisture and against corrosive and explosive gases.

Our technical information is based on extensive testing and is, to the best of our current knowledge, true and accurate but given without warranty as the conditions of use and storage are beyond our control. Variables, such as humidity, temperature, change in seed size or variety and viscosity of chemical products can all affect the accuracy of the chemical application and seed coverage. To ensure the desired application rate and optimum seed coverage, check the calibration periodically throughout the day, and make adjustments as needed.

Any person who is involved in the installation or periodic maintenance of this equipment should be suitably skilled or instructed and supervised using a safe system of work. Isolate the treater before removing guards for maintenance.





EXPOSURE CONTROL

Always use caution and common sense when working with chemicals. Read the product label and SDS carefully and follow their instructions exactly as described. The following Personal Protective Equipment (PPE) recommendations and best practices help promote safe use in seed treatment.



Note: Exposure Control signs and labels conform to the requirements of ANSI Z535.4 or ISO 3864.



Wear protective clothing

Wear disposable or reusable coveralls with long sleeves.



Hand protection required

Wear chemical-resistant gloves.



Wear rubber boots

Wear chemical resistant rubber boots.



Labels

Label recommendations and directions for handling must be followed, including treatment procedure (use of sticker) as well as the safety requirements.



Treatment products

Keep products in a locked room that has been approved for crop protection products.



Wear a mask

Wear respiratory protection.



Eye protection required

Wear protective eyewear.



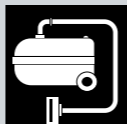
Calibration

Seed treatment equipment must be checked and calibrated regularly to ensure accurate and safe application.



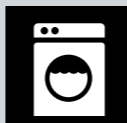
Clean seed

Use well cleaned seed to avoid creation of polluted dust that will contaminate the machine, treating facility, workers, farmers and the environment during sowing.



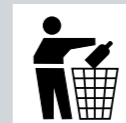
Cleaning

Use a vacuum to clean machines. Avoid using compressed air for cleaning.



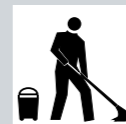
Laundry

Wash soiled reusable clothing separately. Workers must take a shower after each shift.



Empty containers

Non-returnable empty containers must be triple rinsed before they can be disposed. For others the recommendation of the producer must be followed.



Spillage

Spillage must be avoided; it must be thoroughly cleaned up to avoid contaminating the environment and waterways.



Maintenance

Keep machinery clean between treating sessions.





REFERENCE SYMBOLS

Symbols and signal words are used to identify the level of hazard and help avoid personal injury.



Note: Safety signs and labels conform to the requirements of ANSI Z535.4 or ISO 3864.



Shock Hazard

Alerts that dangerous voltage may be present.



Warning

Alerts that a hazard may cause serious injury or death.



Caution

Alerts that a hazard may cause minor or moderate injury.



Hand crush - moving parts

Alerts crushing is possible.



Pinch point

Keep hands away from pinch points.



Rotating shaft

Do not wear loose clothing around turning parts.



Disconnect

Disconnect to de-energize before opening.



Use guards

Keep guards in place. Do not remove during operation.



Lifting

Requires two people to safely lift an item.



Lift points

Requires the use of proper rigging and lifting techniques based on the lift plan.



Center of gravity

Indicates the center of gravity of the machine to help assist when rigging and lifting.



Tools

Required tools for installation and maintenance.



Parts

Required parts for installation and maintenance.



Tip

Calls attention to special information.



Note

Emphasizes general information worthy of attention.



Example

Provides a problem or exercise that illustrates a method or principle.

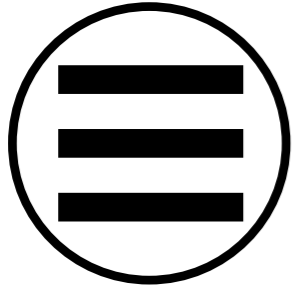




PICTOGRAMS

i

Each Signifier displayed here is specific to this User Manual.



Menu



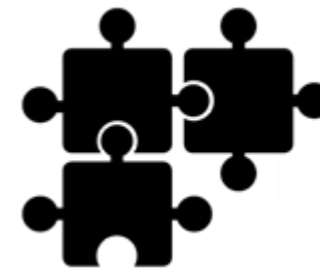
Previous



Advance



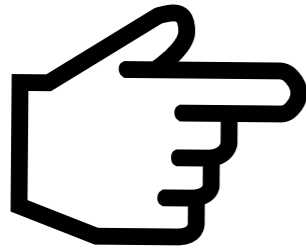
Installation



Sysstem Diagram



Operation



Cursor Hand



Like





SYSTEM DIAGRAM

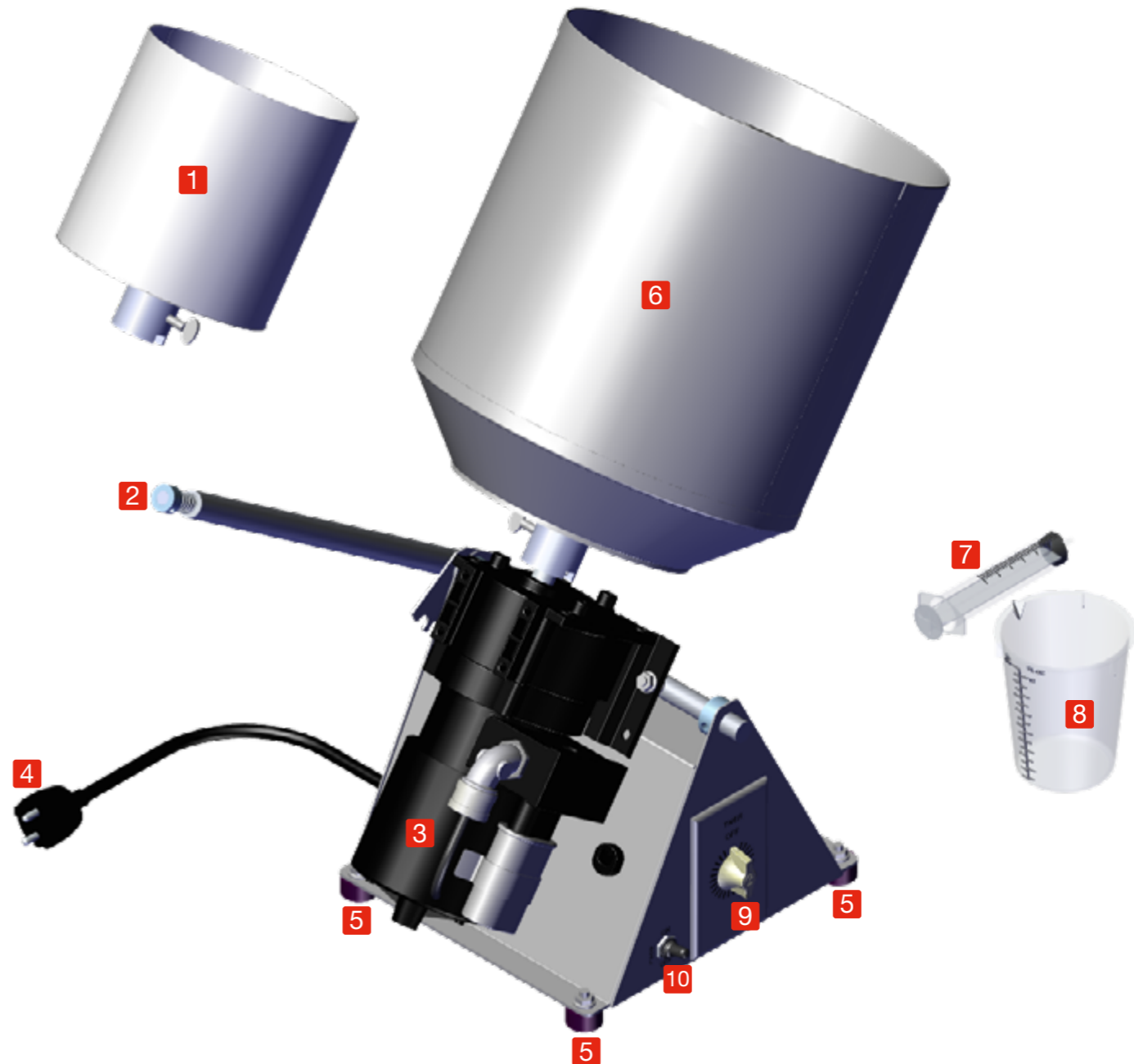
84088730 - 50 HZ ROTARY LAB MIXER, REF.

Dry Weight:
46.2 LBS [16 KG]

Service Required:
250V/1PH/16A (motor)
220V/1PH/50 hz (timer)

Large Mix Bowl Capacity:
Up to 5 LBS

- 1 Small Mix Bowl
- 2 Adjustment Arm
- 3 Gear Motor
- 4 Power Cord
- 5 Rubber Feet
- 6 Large Mix Bowl
- 7 30cc Syringe
- 8 12oz Measuring Cup
- 9 Timer Switch
- 10 Bowl ON / OFF Switch



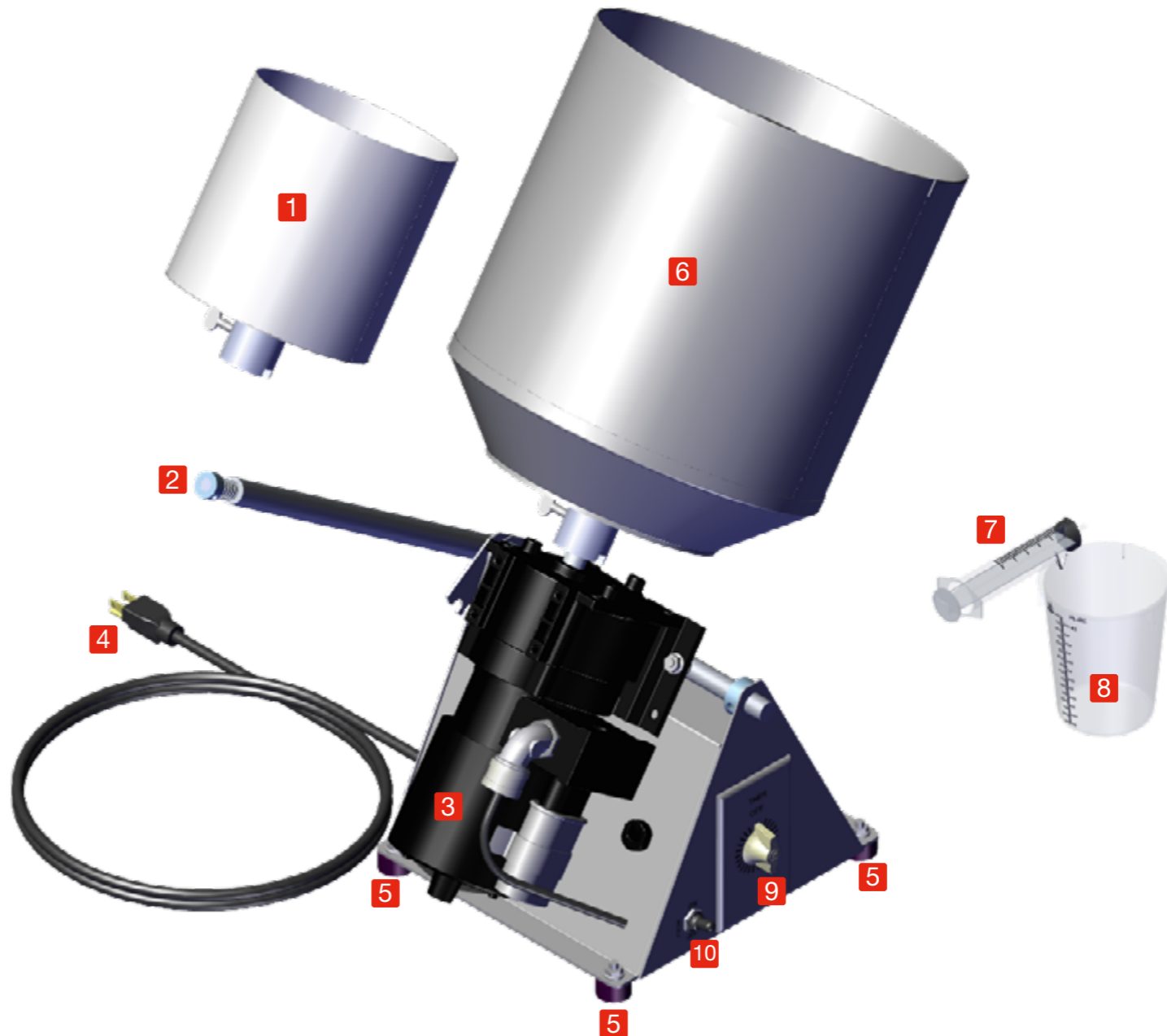
84094668 - 60 HZ ROTARY LAB MIXER, REF.

Dry Weight:
45.5 LBS [16 KG]

Service Required:
115V/1PH/60Hz (motor)

Large Mix Bowl Capacity:
Up to 5 LBS

- 1 Small Mix Bowl
- 2 Adjustment Arm
- 3 Gear Motor
- 4 Power Cord
- 5 Rubber Feet
- 6 Large Mix Bowl
- 7 30cc Syringe
- 8 12oz Measuring Cup
- 9 Timer Switch
- 10 Bowl ON / OFF Switch





INSTALLATION

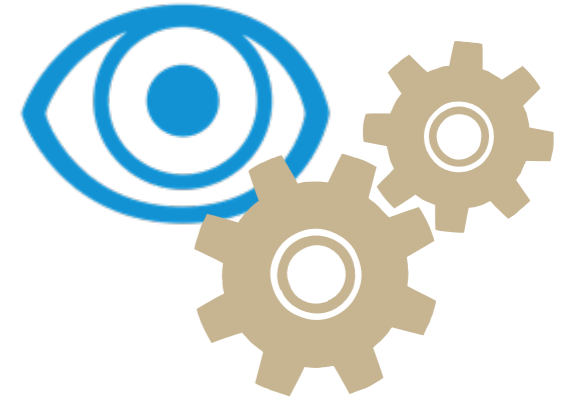
Arrival / Inspection - Rotary Lab Mixer

Step 1: Select one of the Mix Bowls (small mix bowl - .25 - .75 pounds; large mix bowl - 1.0 - 5.0 pounds).

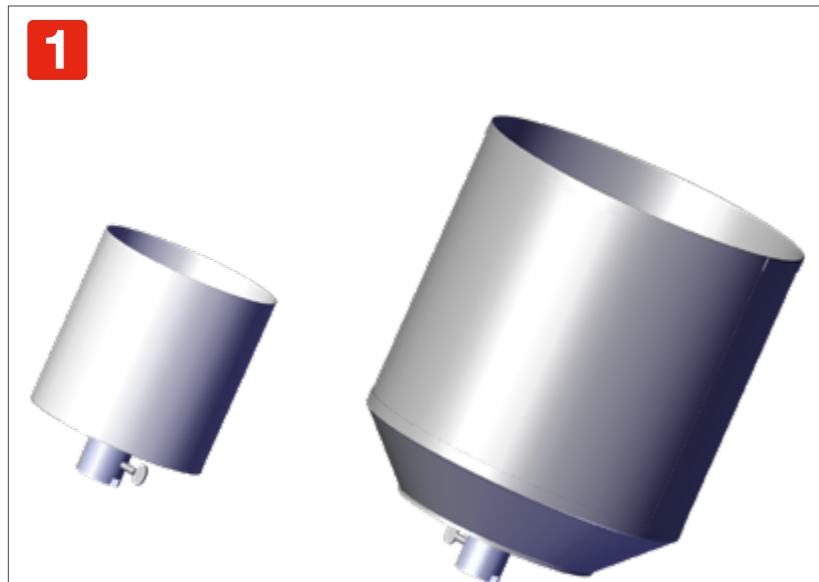
Step 2: Connect the Motor Adapter (attached to the bottom of the Mix Bowl) to the Motor Shaft.

- The two Roll Pins on the Motor Shaft slip into the notches cut out on the Bowl Motor Drum Adapter.

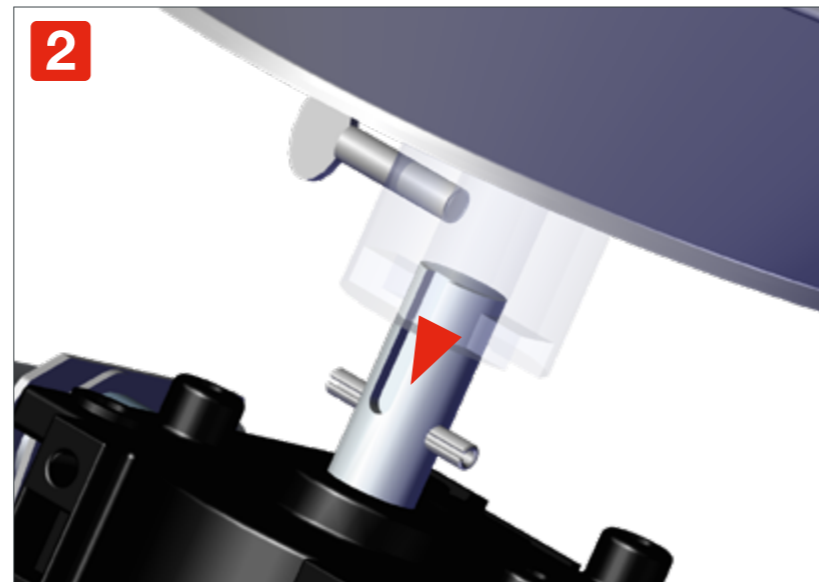
Step 3: Tighten the Thumb Screw on the side of the Motor Drum Adapter to securely fasten the Mix Bowl in place.



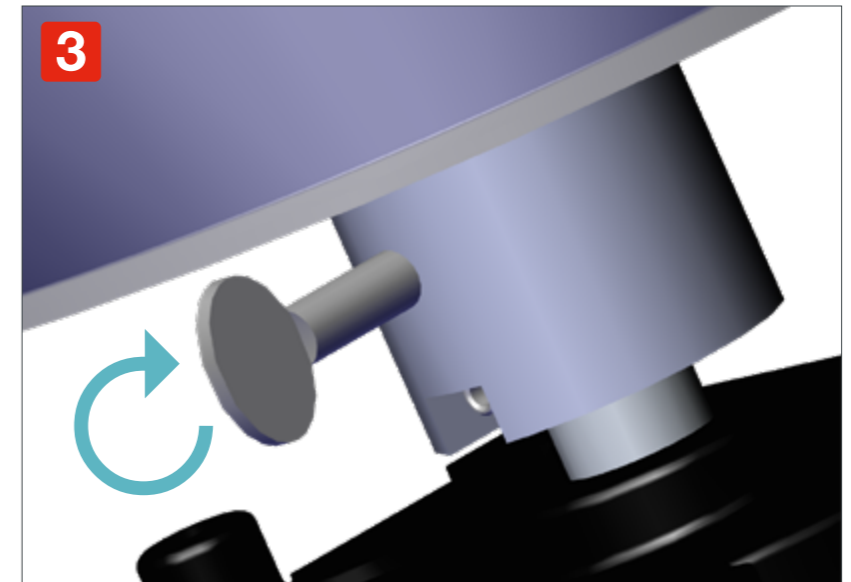
Continued ➞



Select a Mix Bowl: Small or Large, ref.

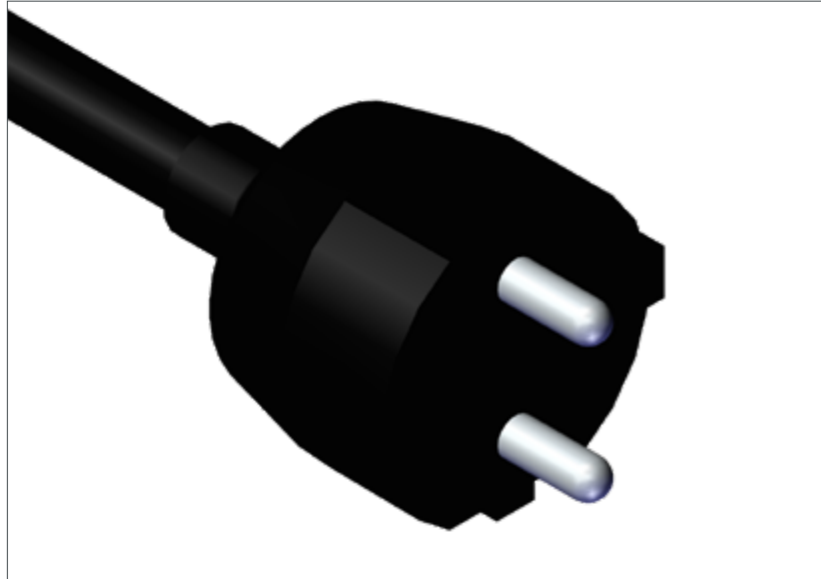


Connect Motor Adapter to Motor Shaft, ref.

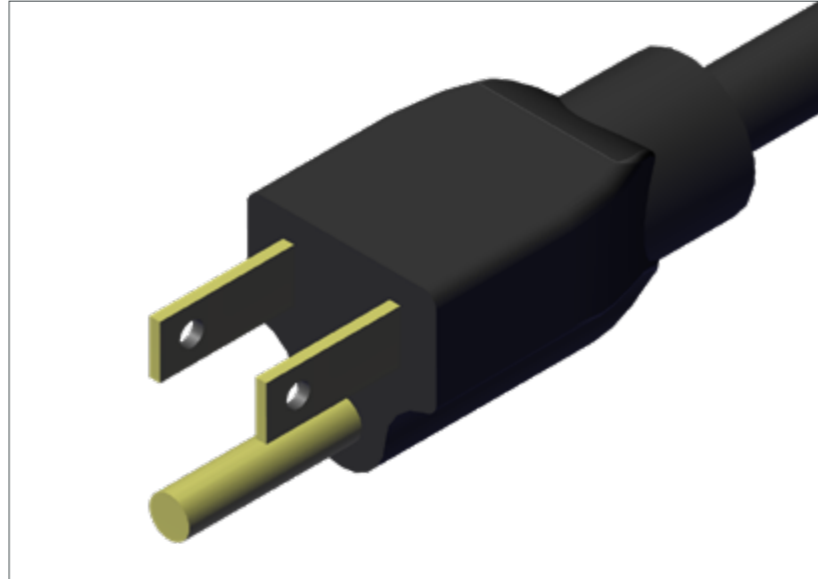


Tighten Thumb Screw Clockwise to lock Mix Bowl to the Motor Shaft, ref.





50Hz 220V Power Cord Connector, ref.



60Hz 115V Power Cord Connector, ref.

Step 4: Connect the Power Cord to an external power source.

This completes the Installation section.





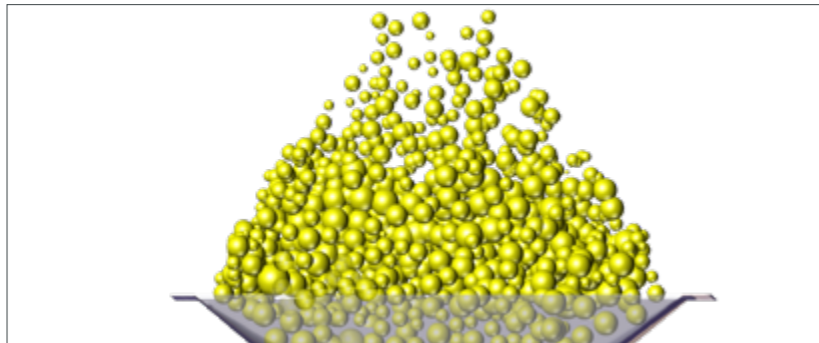
OPERATION



Warning! Wear proper personal protective equipment when working with chemicals: long sleeves, chemical resistant gloves and a face respirator >>



Tip: Always treat clean seed!

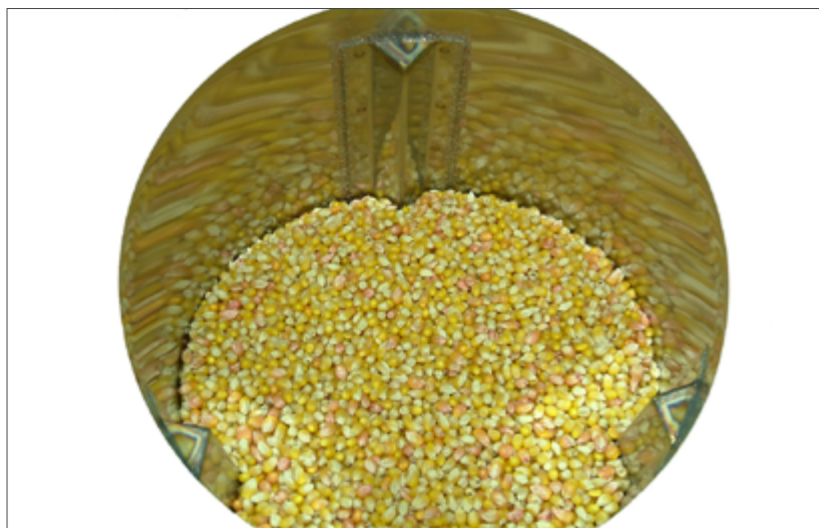


Weigh the seed ref.

Seed

Step 1: Weigh a desired amount of seed for treatment based on Mix Bowl size and capacity.

- Small mix bowl - .25 - .75 pounds
- Large mix bowl - 1.0 - 5.0 pounds



Fill the Mix Bowl with weighed seed, ref.

Step 2: Fill the Mix Bowl with previously weighed seed.

Continued ➡





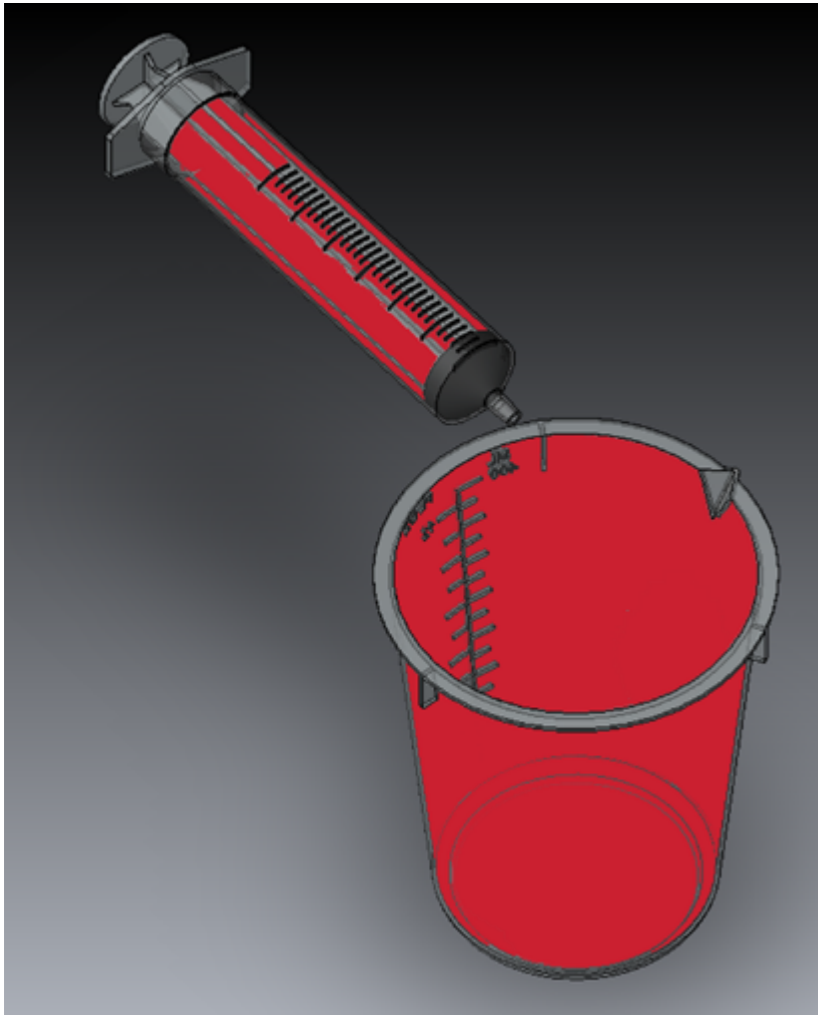
Pour treatment product in measuring cup, ref.

Product Label

Refer to the Treatment Product Label on the chemical jug for the regulated application rate.

- Follow the direction exactly as stated on the label!

Step 1: Carefully pour treatment product into the 12oz Measuring Cup.



Fill syringe with treatment product, ref.

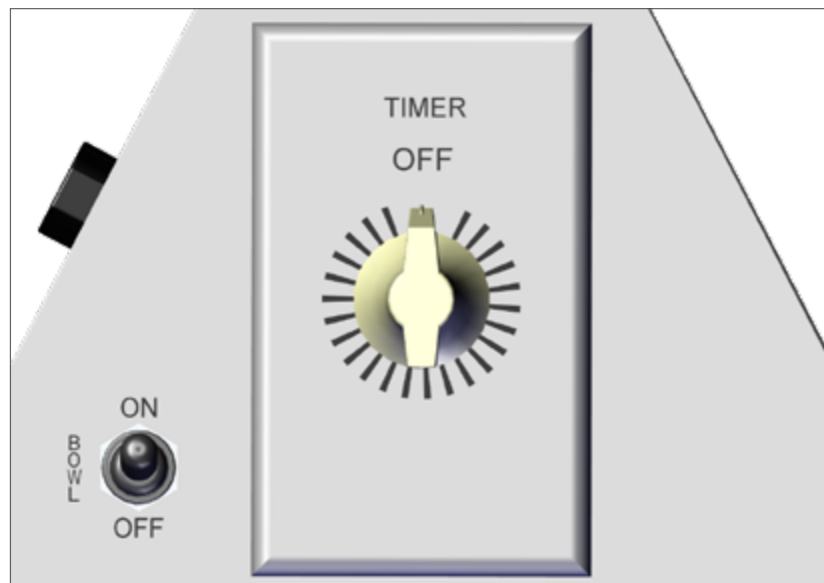
Step 2: Insert the syringe into the Measuring Cup and draw out of it the desired amount of treatment product.

Continued ➞





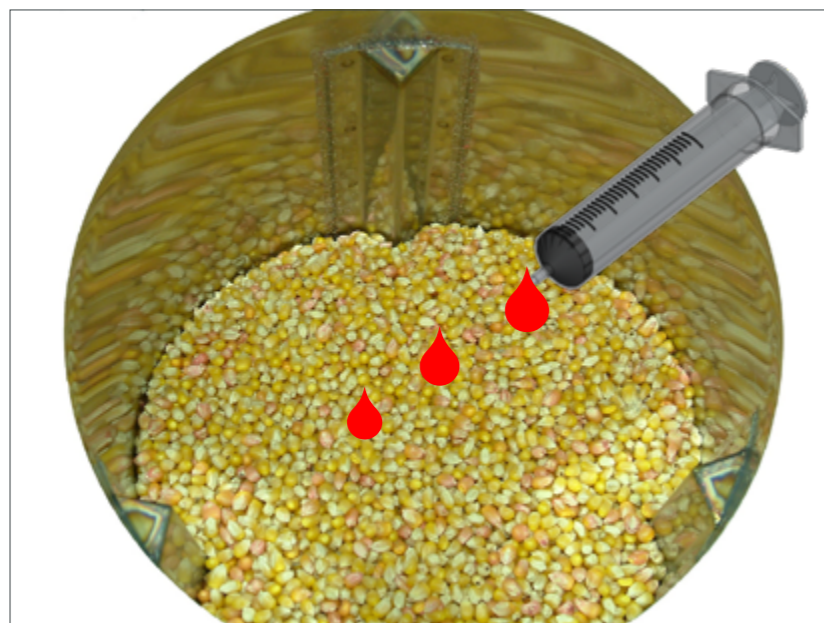
Warning! Keep hands away from rotating mix bowl! Do not wear loose clothing or jewelry.



Set Timer Switch and turn Bowl Switch to ON, ref.

Step 3: Set the Timer for 1-1/2 minutes.

Step 4: Turn the Bowl ON/OFF Switch to ON.



Apply treatment product to seed in Mix Bowl, ref.

Step 5: With the syringe held approximately 4-5 inches from the seed in the Mix Bowl, slowly depress the syringe to fully dispense the entire amount of product.

Continued ➡





Allow seed to mix with treatment product, ref.

Step 6: Set the Timer for 1-1/2 minutes.

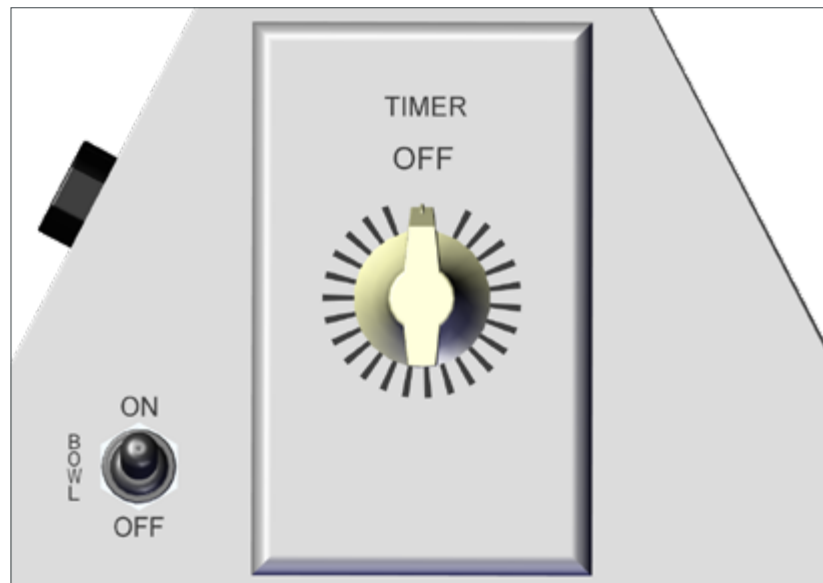
Step 7: Turn the Bowl ON/OFF Switch **ON**.

- Allow the seed to mix with the product until a uniform coverage is achieved.

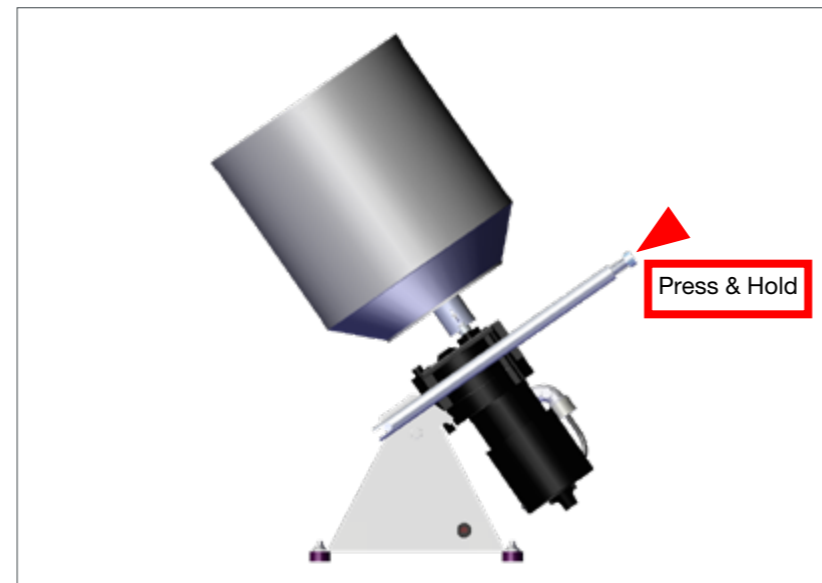
Step 8: Turn the Bowl Switch **OFF**.

Step 9: Release the Adjustable Arm mechanism and tilt the Mix Bowl to the lowest position and empty the treated seed out of the Mix Bowl.

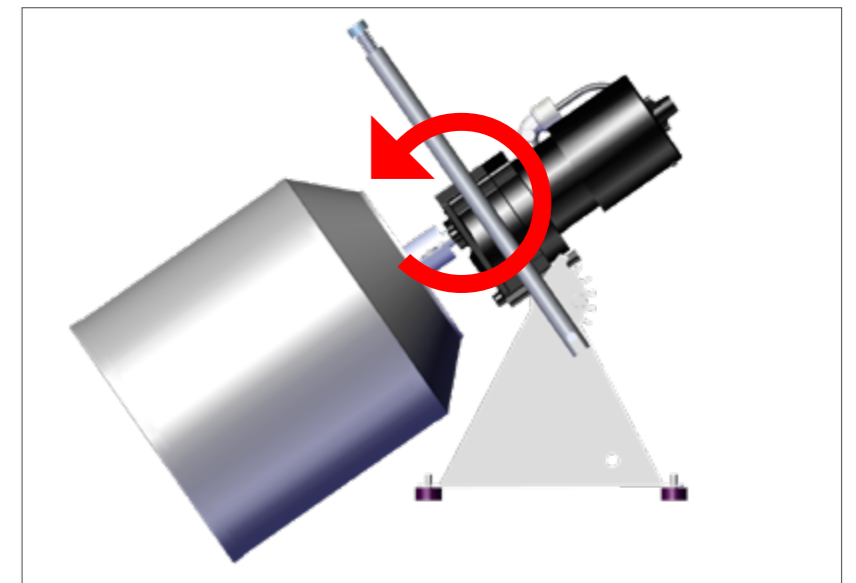
Continued ➞



Turn OFF Bowl Switch, ref.

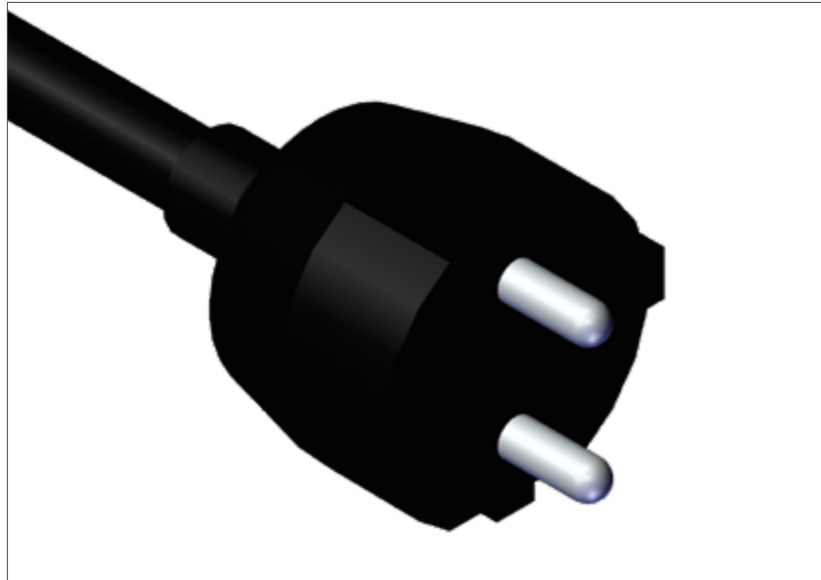


Release Adjustable Arm Mechanism, ref.

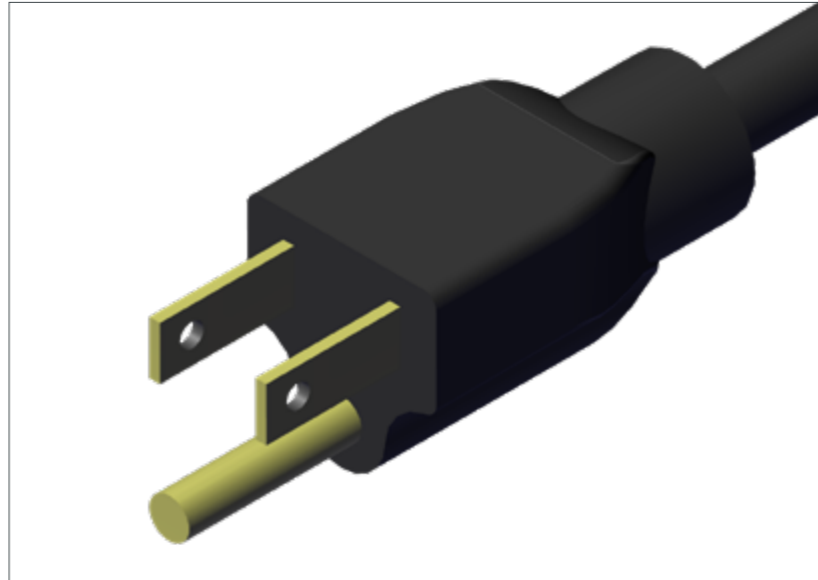


Empty Mix Bowl of treated seed, ref.





50Hz 220V Power Cord Connector, ref.



60Hz 115V Power Cord Connector, ref.

Cleaning

Step 1: Disconnect the Power Cord from the power source.



Clean the inside of the Mixing Bowl, ref.

Step 2: Wash the Mixing Bowl out with water and dry thoroughly.

Step 3: Dispose of rags, rinse water and containers responsibly, according to the product label.

This completes the Operation section.





Bayer

Crop Science Division
1451 Dean Lakes Trail
Shakopee, MN 5379
USA

Telephone

+1-952-445-6868

Toll free:

+1-855-363-3152

Visit us on:

www.seedgrowth.bayer.com

Bayer™ and the Bayer Cross™ are registered trademarks of Bayer.

ROTARYLABMIXER20211022

