



BMC INSTALLATION AUTOMATIC & MANUAL SYSTEMS





MENU

i
This is an interactive PDF. Click on an icon tile and navigate to a chapter of interest.



Legal & Safety



BMC Automatic System Diagram



BMC Automatic Installation



BMC Manual System Diagram



BMC Manual Installation



Pictograms

Users can advance or go back single pages by using quick navigation links shown below, right.

Users can navigate to the Menu by clicking on the Menu icon shown below, left.





LEGAL & SAFETY

This manual contains technical information regarding Bayer SeedGrowth™ Equipment. Please read and understand these instructions completely before proceeding to install and operate the equipment. Bayer reserves the right to change specifications, models, components, or materials at any time without notice. For additional equipment information contact us at 1.800.634.6738. Please have this manual available when contacting Bayer.

Always use caution and common sense when working with any chemical. Read the product label and SDS carefully and follow their instructions exactly as described.

Optimal operating conditions for this piece of equipment requires an ambient temperature 32° F to +104° F (0° C to +40° C), relative humidity less than 90% (minimum condensation). Make necessary provisions to protect this piece of equipment against excessive dust, particles containing iron, moisture and against corrosive and explosive gases.

Our technical information is based on extensive testing and is, to the best of our current knowledge, true and accurate but given without warranty as the conditions of use and storage are beyond our control. Variables, such as humidity, temperature, change in seed size or variety and viscosity of chemical products can all affect the accuracy of the chemical application and seed coverage. To ensure the desired application rate and optimum seed coverage, check the calibration periodically throughout the day, and make adjustments as needed.

Any person who is involved in the installation or periodic maintenance of this equipment should be suitably skilled or instructed and supervised using a safe system of work. Isolate the treater before removing guards for maintenance.





EXPOSURE CONTROL

Always use caution and common sense when working with chemicals. Read the product label and SDS carefully and follow their instructions exactly as described. The following Personal Protective Equipment (PPE) recommendations and best practices help promote safe use in seed treatment.



Note: Exposure Control signs and labels conform to the requirements of ANSI Z535.4 or ISO 3864.



Wear protective clothing

Wear disposable or reusable coveralls with long sleeves.



Hand protection required

Wear chemical-resistant gloves.



Wear rubber boots

Wear chemical resistant rubber boots.



Labels

Label recommendations and directions for handling must be followed, including treatment procedure (use of sticker) as well as the safety requirements.



Treatment products

Keep products in a locked room that has been approved for crop protection products.



Wear a mask

Wear respiratory protection.



Eye protection required

Wear protective eyewear.



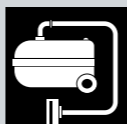
Calibration

Seed treatment equipment must be checked and calibrated regularly to ensure accurate and safe application.



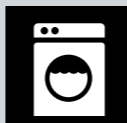
Clean seed

Use well cleaned seed to avoid creation of polluted dust that will contaminate the machine, treating facility, workers, farmers and the environment during sowing.



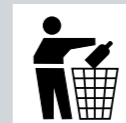
Cleaning

Use a vacuum to clean machines. Avoid using compressed air for cleaning.



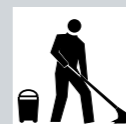
Laundry

Wash soiled reusable clothing separately. Workers must take a shower after each shift.



Empty containers

Non-returnable empty containers must be triple rinsed before they can be disposed. For others the recommendation of the producer must be followed.



Spillage

Spillage must be avoided; it must be thoroughly cleaned up to avoid contaminating the environment and waterways.



Maintenance

Keep machinery clean between treating sessions.





REFERENCE SYMBOLS

Symbols and signal words are used to identify the level of hazard and help avoid personal injury.



Note: Safety signs and labels conform to the requirements of ANSI Z535.4 or ISO 3864.



Shock Hazard

Alerts that dangerous voltage may be present.



Warning

Alerts that a hazard may cause serious injury or death.



Caution

Alerts that a hazard may cause minor or moderate injury.



Hand crush - moving parts

Alerts crushing is possible.



Pinch point

Keep hands away from pinch points.



Rotating shaft

Do not wear loose clothing around turning parts.



Disconnect

Disconnect to de-energize before opening.



Use guards

Keep guards in place. Do not remove during operation.



Lifting

Requires two people to safely lift an item.



Lift points

Requires the use of proper rigging and lifting techniques based on the lift plan.



Center of gravity

Indicates the center of gravity of the machine to help assist when rigging and lifting.



Tools

Required tools for installation and maintenance.



Parts

Required parts for installation and maintenance.



Tip

Calls attention to special information.



Note

Emphasizes general information worthy of attention.



Example

Provides a problem or exercise that illustrates a method or principle.

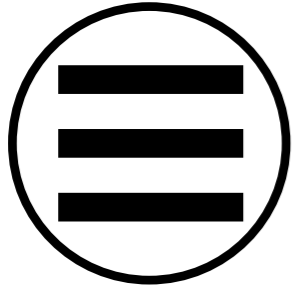




PICTOGRAMS

i

Each Signifier displayed here is specific to this User Manual.



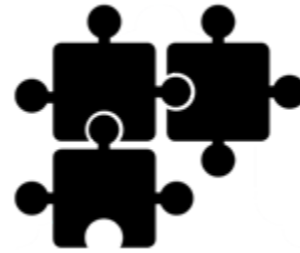
Menu



Previous



Advance



System



Like



Installation





SYSTEM DIAGRAM

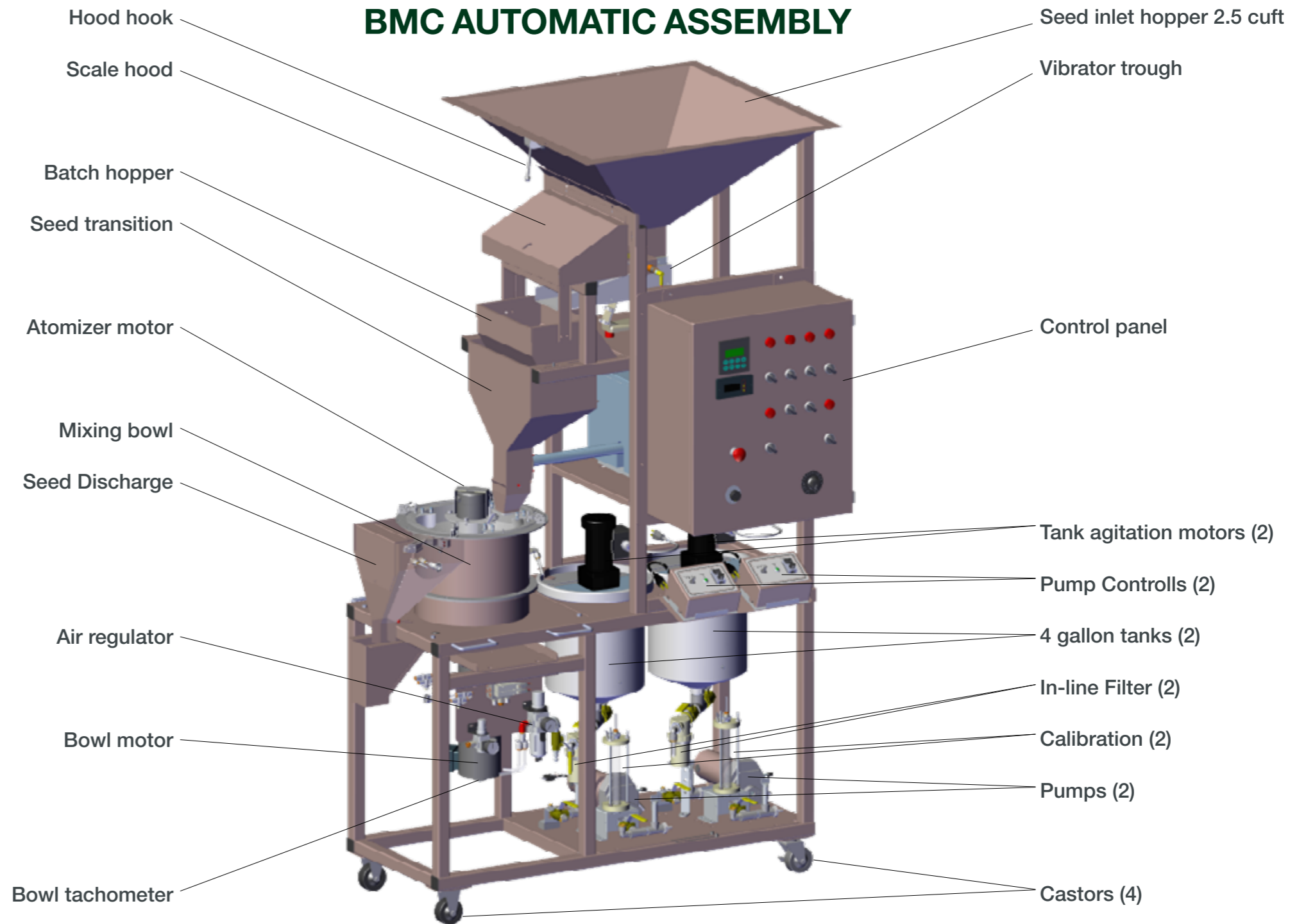
BMC AUTOMATIC ASSEMBLY

Dry Weight
522.4 lbs [263 kg]*
 Service Required
**115VAC/1ph/60Hz/
 25A**
 Capacity
up to 7.5 lbs*

*Bowl Size Options:

.5lb-2lb, 2lb-5lb & 5lb-7.5lb

- Additional Bowls are shipped loose and field installed
- Image shown right with Optional Powder Feeder





INSTALLATION



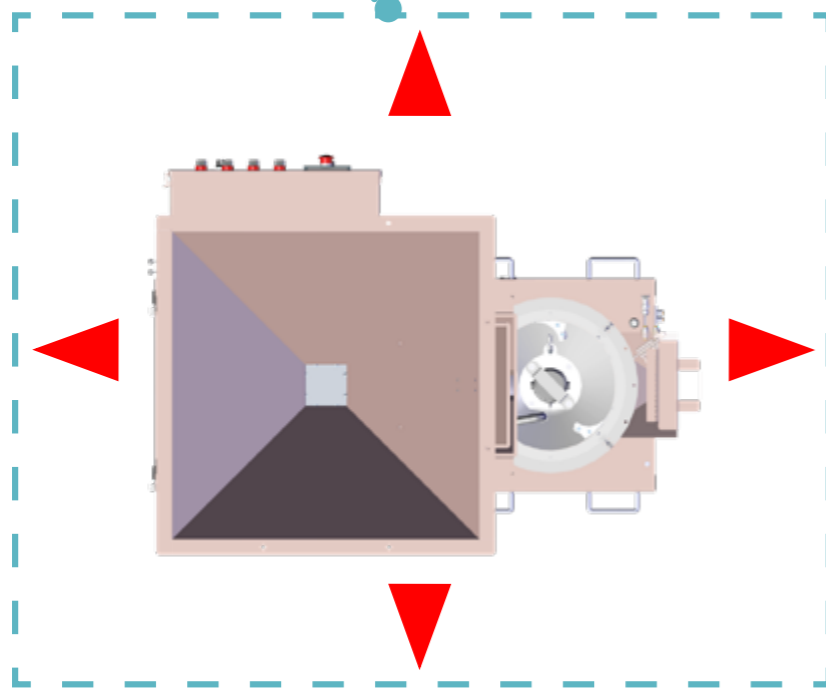
Several basic requirements are necessary to ensure proper equipment installation. Read through and understand this manual.



Required assembly tools

- Forklift / material handling device
- Tin snips
- Adjustable wrench

3' perimeter minimum



CBT BASIC Top View

Arrival / Inspection

Step1: The treater will be shipped in a crate on a pallet.

- Remove all components and check for damage that may have occurred during shipping.
- **Report any damage IMMEDIATELY!**

If used without the Caster Kit, locate the Treater on a solid, flat vibration-free surface.

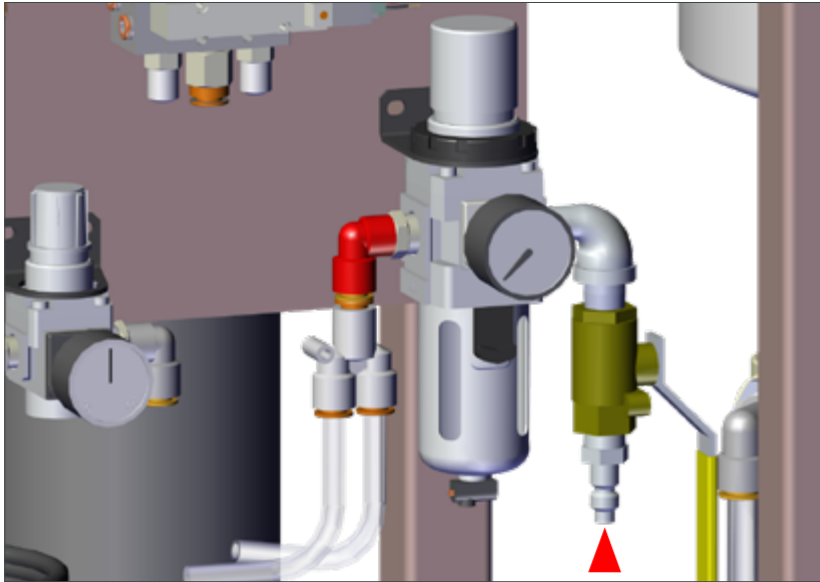
- Anchor the assembly to the floor.

Plan accordingly!

- The Treater must be easily accessible to electricity and compressed air.
- Allow access to the Treater from all sides for the purpose of adjustments, maintenance and clean-up.
- Provide 115VAC/1PH/60Hz/25a. Service for the control box.
- Use secure, twist lock plug connections.

Continued ➡

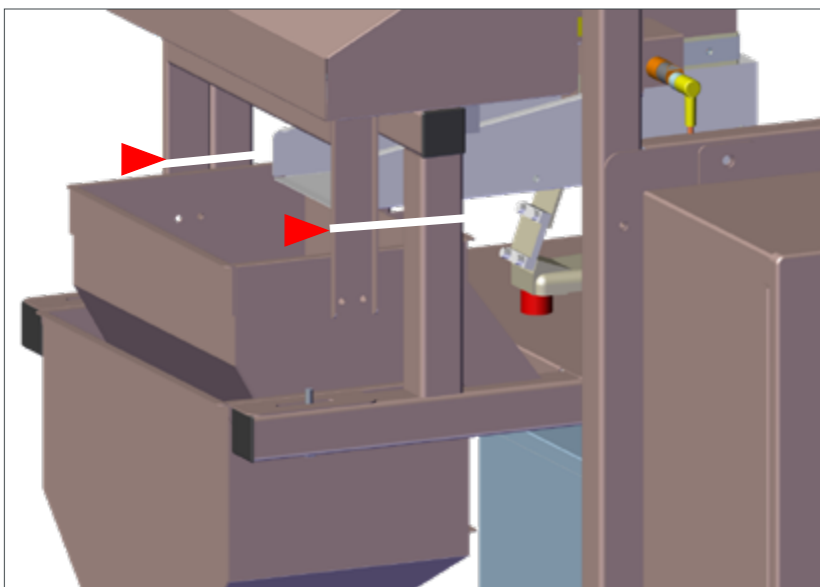




Step 1: Connect a minimum of 60-80psi air pressure to the filter regulator. Recommended 4-5psi at bowl regulator. Approximately 28in³/ batch.



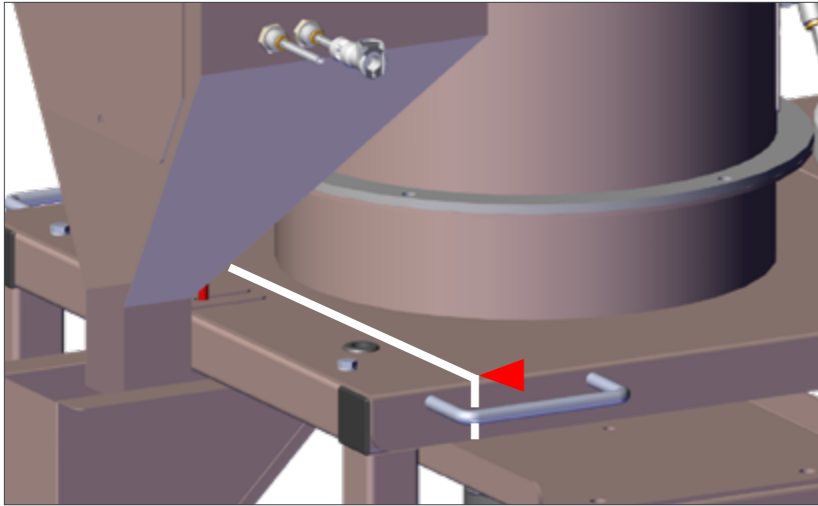
Step 2: Connect 115VAC Power Cord to an external power source (located underneath the Control Box). The system has been tested at the factory for quality assurance. It is recommended to dry run all components of the system before introducing seed or chemical to the BMC unit.



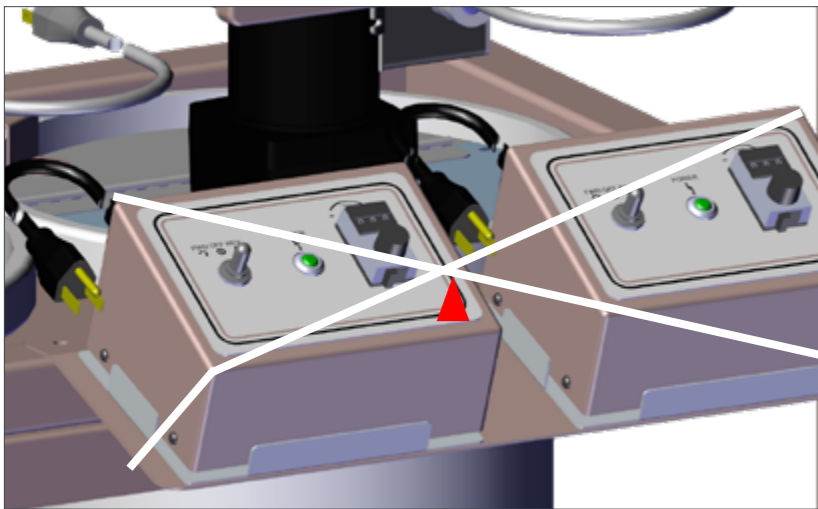
Step 3: Cut the shipping bands holding the Weigh Scale on both sides to the frame.

Continued ➡

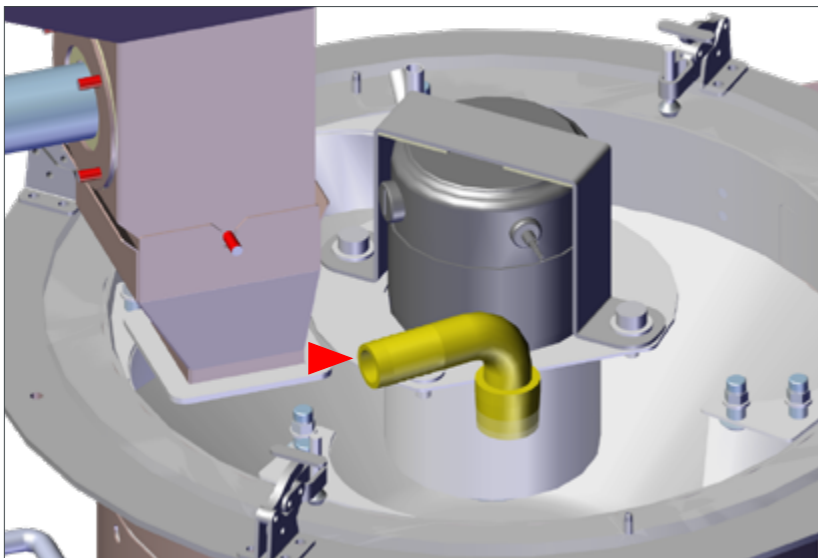




Step 4: Cut the shipping bands holding the Mixing Bowl on to the frame. Additional Mixing Bowls will be shipped boxed separately. Inspect for damage upon opening. Report any damage immediately!



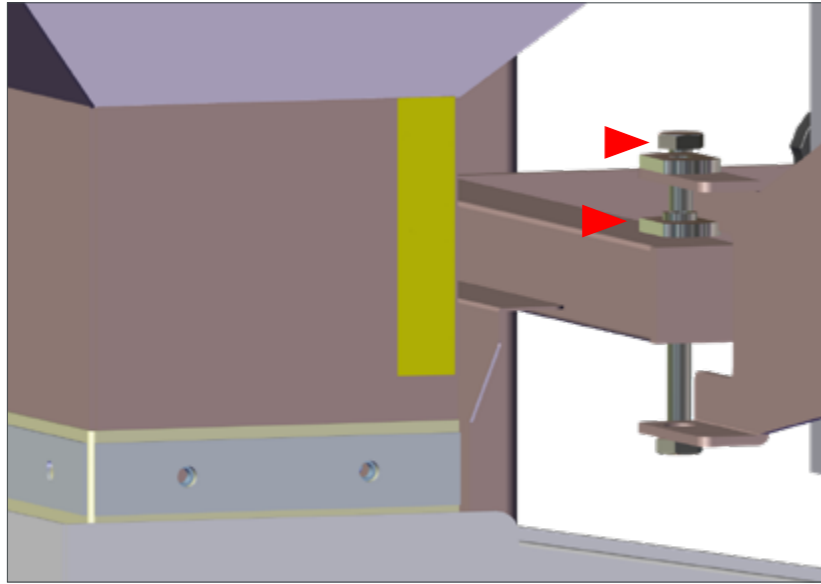
Step 5: Cut the shipping bands holding the LS Pump Controls and the Powder Applicator (if ordered).



Step 6: Connect dust evacuation to the yellow barb fitting. This will assist in keeping cleaner seed going into the bowl. Use a butterfly valve in the main suction line to control the suction. CFM will vary, depending on seed variety and the amount of debris in the product. The installation requires gates to regulate suction.

Continued ➞





Step 7: On the backside of the Weigh Scale loosen the shipping bolt on the **TOP SIDE** of the weigh arm. The locknut is set at factory. Turn the top bolt **UP (COUNTERCLOCKWISE)** until the locknut bottoms out on the bracket. The gap will be set from the factory at 3/8".

This completes the BMC Automatic installation process.





SYSTEM DIAGRAM

BMC MANUAL ASSEMBLY

Dry Weight
205.38 lbs [93 kg]*

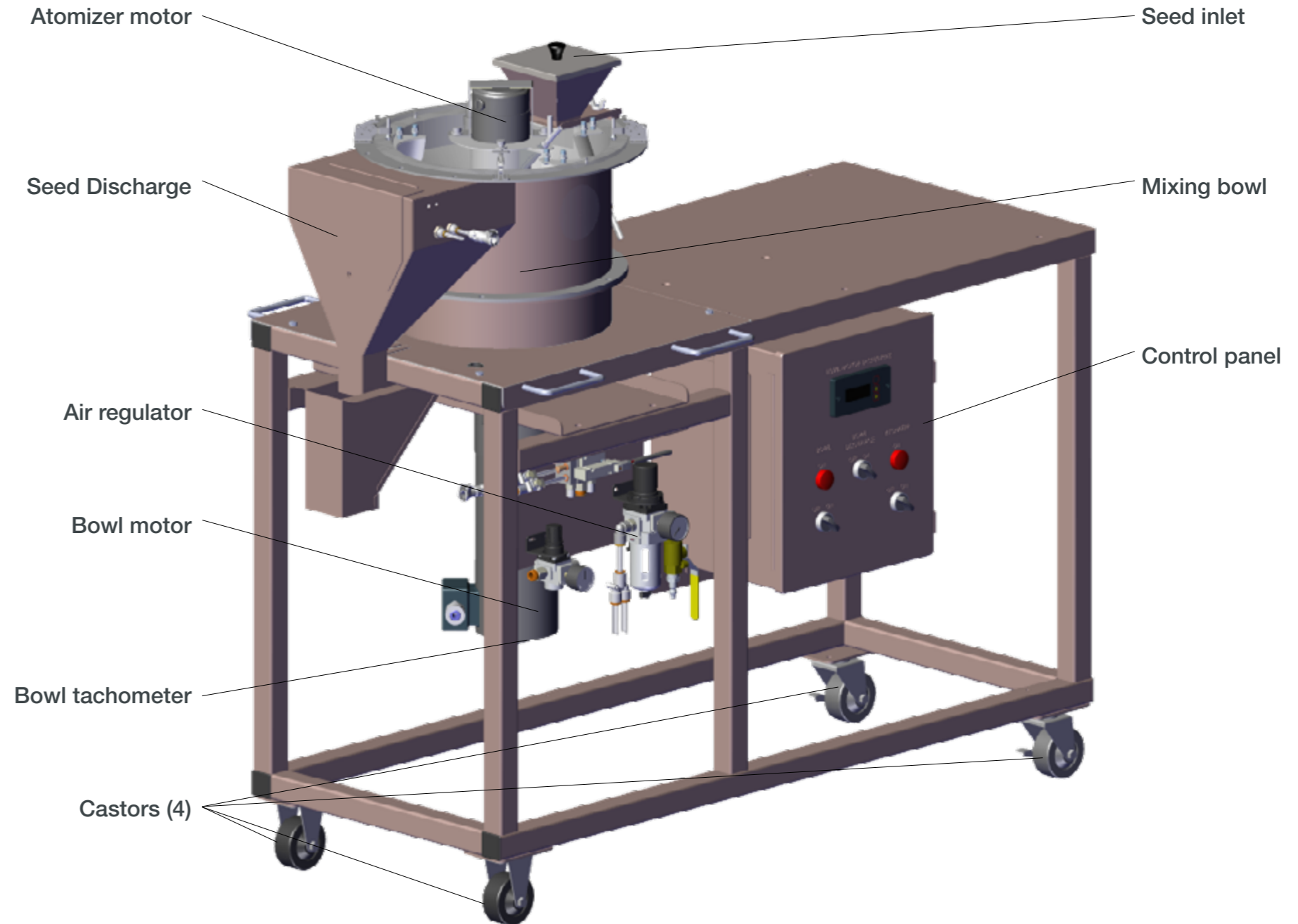
Service Required
**115VAC/1ph/60Hz/
15A**

Capacity
up to 7.5 lbs*

*Bowl Size Options:

.5lb-2lb, 2lb-5lb & 5lb-7.5lb

- Additional Bowls are shipped loose and field installed





INSTALLATION



Arrival / Inspection

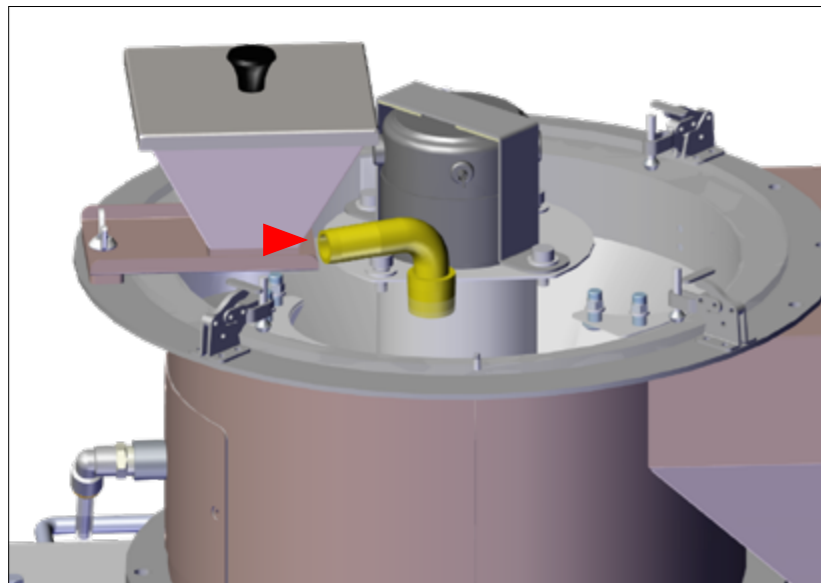
Step 1: The treater will be shipped in a crate on a pallet.

- Remove all components and check for damage that may have occurred during shipping.
- **Report any damage IMMEDIATELY!**



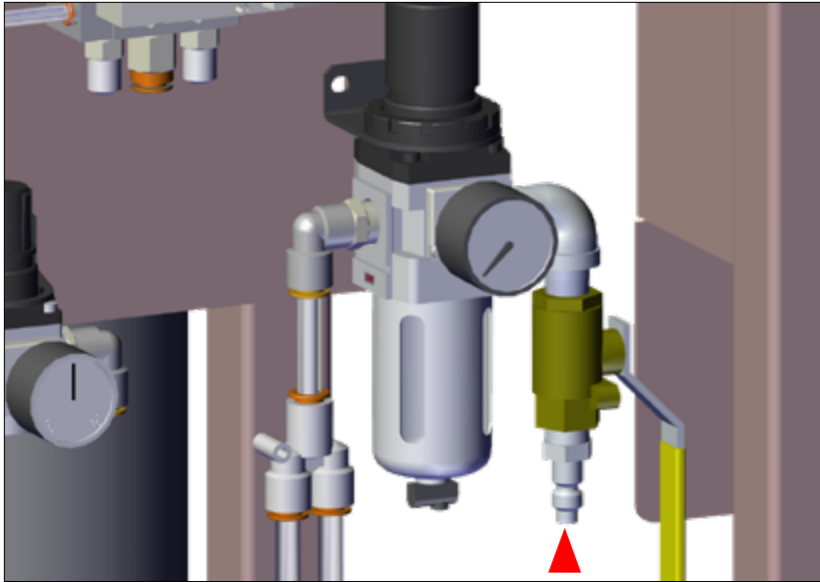
Required assembly tools

- Forklift / material handling device
- Tin snips



Step 2: Connect dust evacuation to the yellow barb fitting. This will assist in keeping cleaner seed going into the bowl. Use a butterfly valve in the main suction line to control the suction. CFM will vary, depending on seed variety and the amount of debris in the product. The installation requires gates to regulate suction.





Step 3: Connect a minimum of 60-80psi air pressure to the filter regulator. Recommended 4-5psi at bowl regulator. Approximately 28in³/ batch.



Step 4: Connect 115VAC Power Cord to an external power source (located underneath the Control Box). The system has been tested at the factory for quality assurance. It is recommended to dry run all components of the system before introducing seed or chemical to the BMC unit.

This completes the BMC Manual installation process.





Bayer

Crop Science Division
1451 Dean Lakes Trail
Shakopee, MN 5379
USA

Telephone

+1-952-445-6868

Toll free:

+1-855-363-3152

Visit us on:

www.seedgrowth.bayer.com

Bayer™ and the Bayer Cross™ are registered trademarks of Bayer.

BMCINSTALLATION20211018

