

CONVEYOR CONTROL KIT FOR RH2000



DESIGNED BY BAYER FOR EXCLUSIVE
USE WITH RH TREATING HEADS

Control Kit-1PH 81691878, 3PH 81720037

Designed to operate conveyors as well as both
HI / LOW capacitive surge hopper sensors
used in an RH seed treating system.

Features & Benefits

- Elevator control mount
- Conveyor control: in/out: 230V / 5HP, 1ph or 3ph
- HI sensor can be mounted on any of four positions on the surge hopper (height of HI sensor is also adjustable)
- HI / LOW sensor (no programming required is included w/ conveyor control package)
- Equipped with two 5m signal cables
- IN / OUT feed conveyor power connectivity



CONVEYOR CONTROL SIZE

- Overall - Height 15.55"

ADDED FEATURE

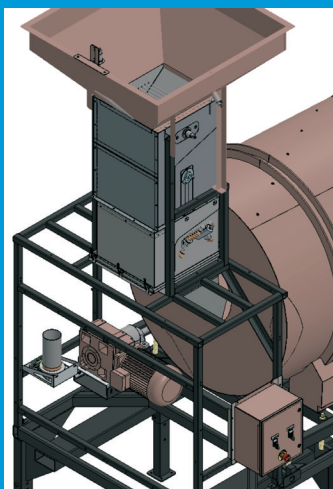
- No sensor programming required

ELECTRICAL SUPPLY REQUIREMENTS

- 81691878 - 230V/1PH/58FLA
- 81720037 - 230V/3PH/29FLA



PRODUCT DETAILS: EASY INSTALLATION



1) Easy installation

- Mount conveyor control box on RH treater frame
- Conveyor power infeed and outfeed connections on control box
- Hi Sensor installs easily on any RH head assembly surge hopper (surge hopper not included with conveyor control kit)
- Capacitive sensors included in kit
- IN / OUT feed conveyor switches
- E-stop button



2) HI level sensor

- Installs easily on top of the surge hopper (sensor shipped with conveyor control package)
- No programming required
- Can be mounted on any of four positions on the surge hopper (height of HI sensor is also adjustable)
- Included w/ conveyor control package



3) LOW level sensor

- Remove 30mm sensor plug (plug shipped with hopper)
- Installs easily on side of the surge hopper (sensor shipped with conveyor control package)
- No programming required



VALUE ADDED FEATURE

- Controls both HI / LOW capacitive sensors



Bayer

Crop Science Division
1451 Dean Lakes Trail
Shakopee, Minnesota 55379 - USA
www.seedgrowth.bayer.com
Phone: +1 952 445 6868
Toll Free: 1 855 363 3152
E-mail: equipment@bayer.com

Before using any crop protection product you should read and carefully follow directions, cautionary statements, and other information appearing on the product label.

Our technical information is based on extensive testing and is, to the best of our current knowledge, true and accurate but given without warranty as the conditions of use and storage are beyond our control. Descriptions and property data of the product do not contain any statement as to liability for possible damage.

CONVEYORCONTROLKIT20211014